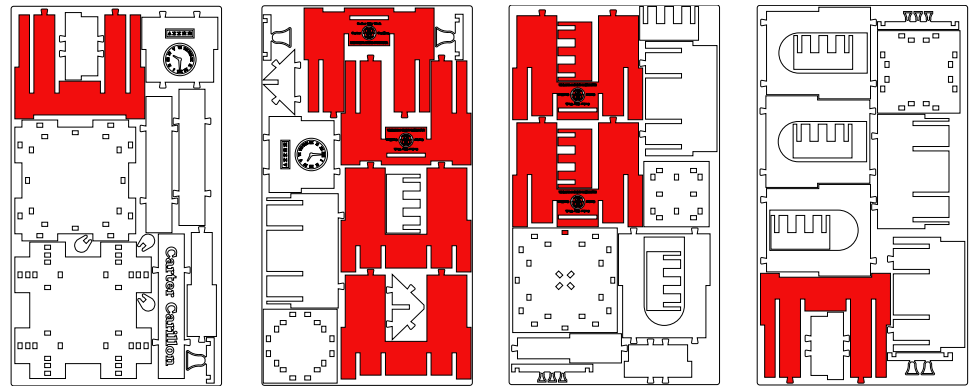
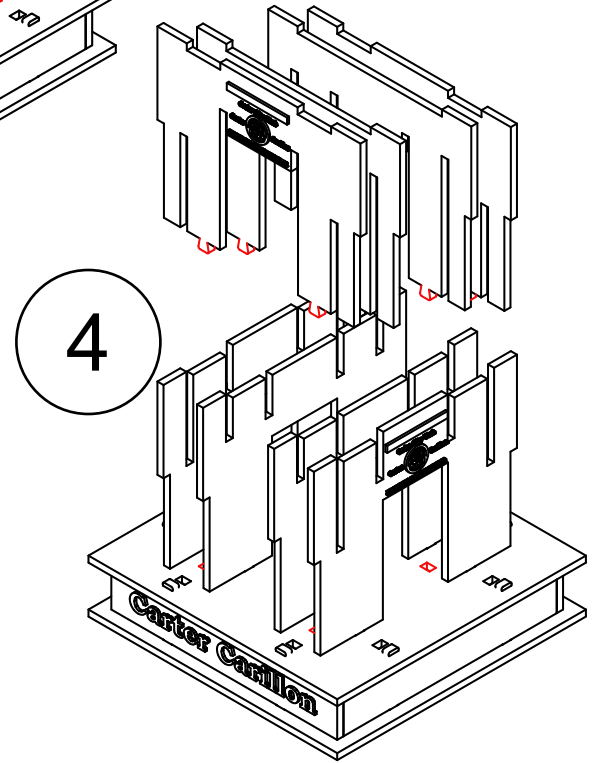
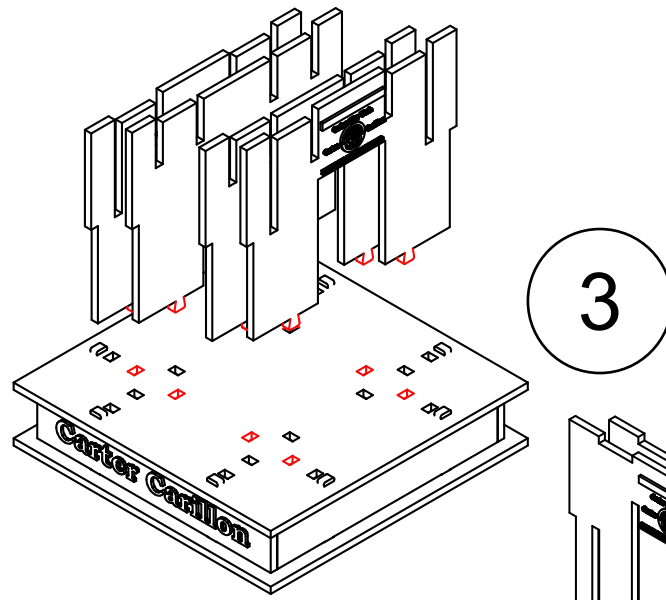
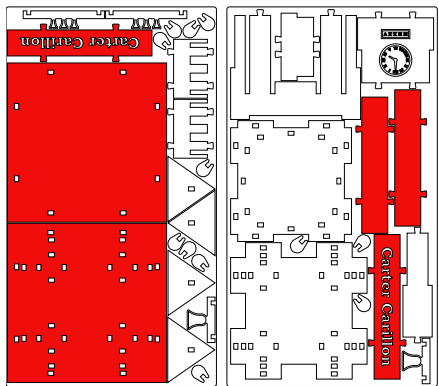
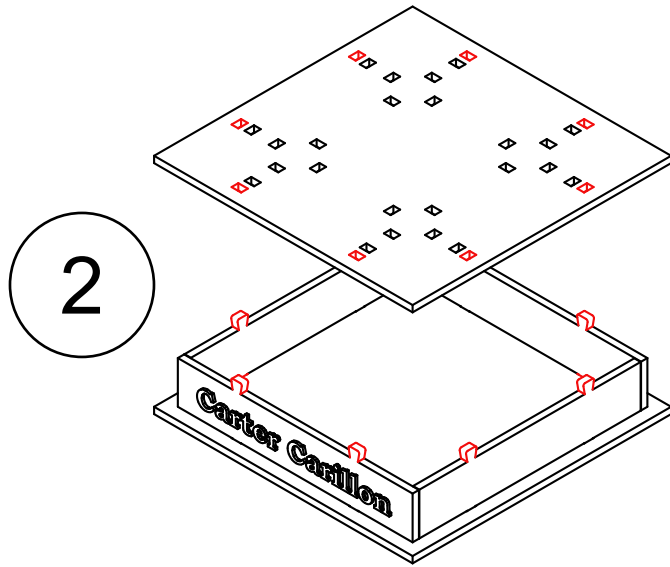
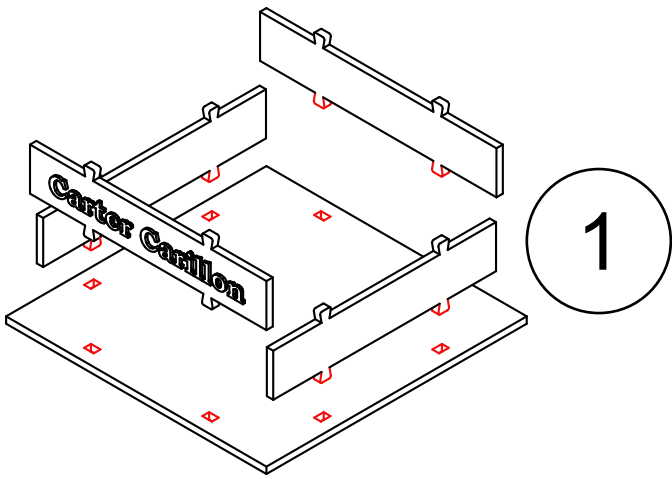
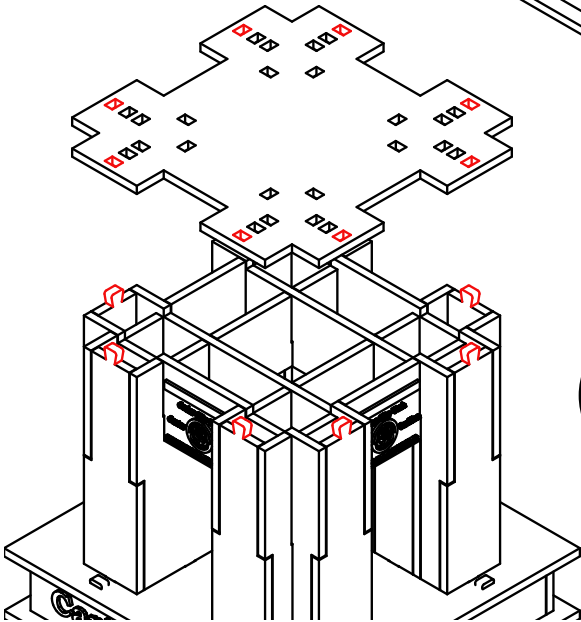
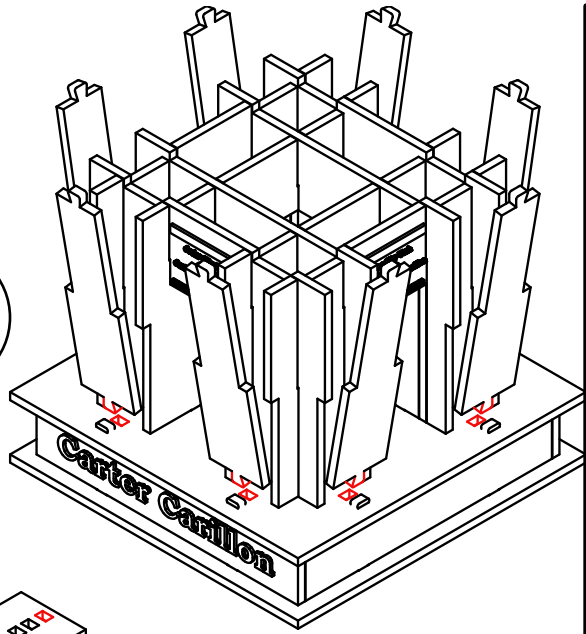


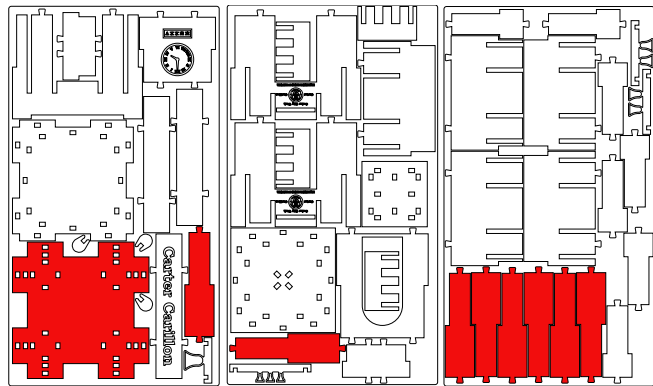
Bell Tower 3D Puzzle



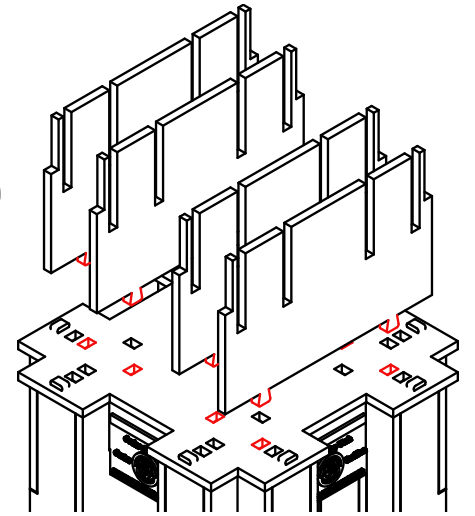
5



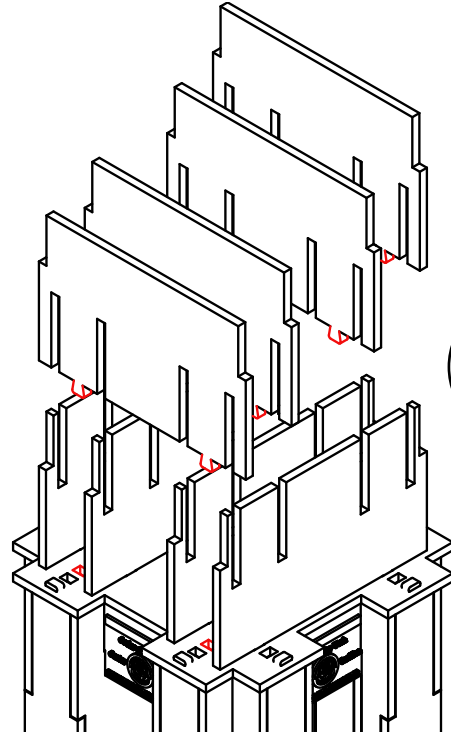
6



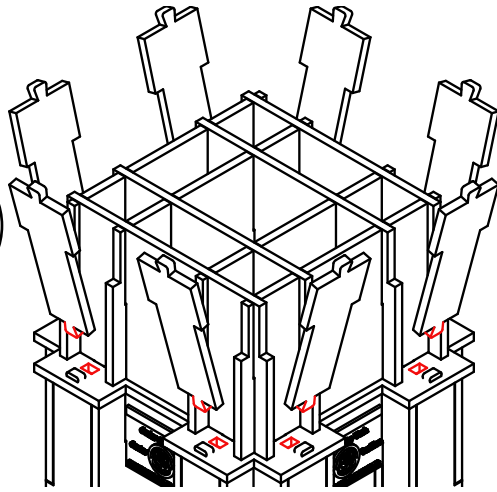
7



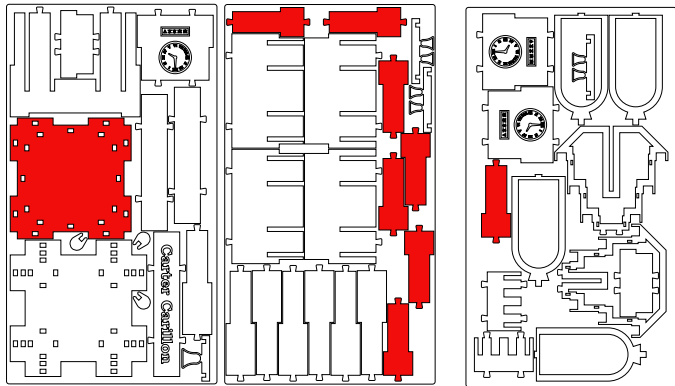
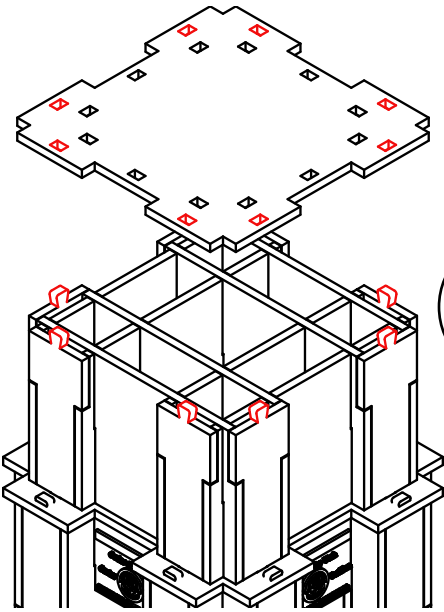
8



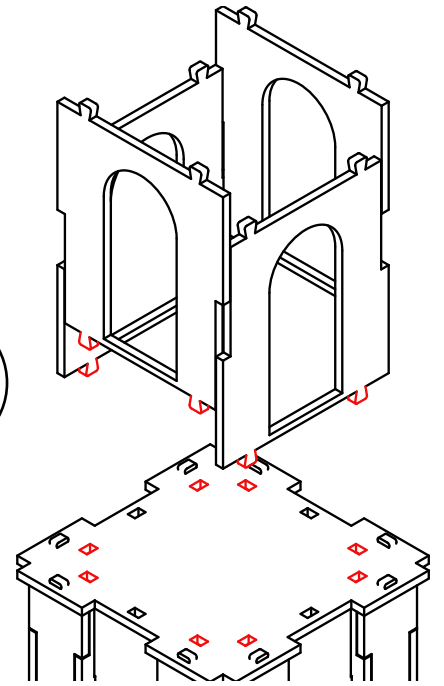
9



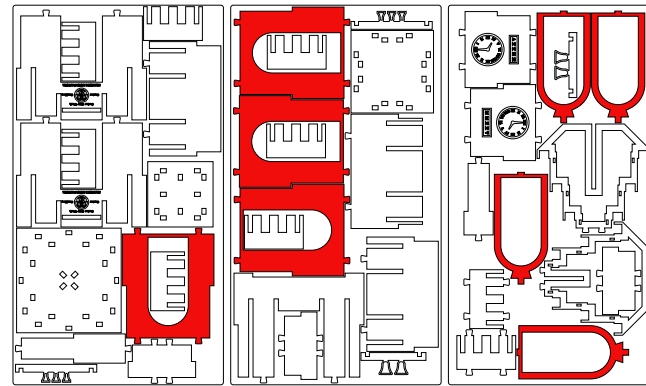
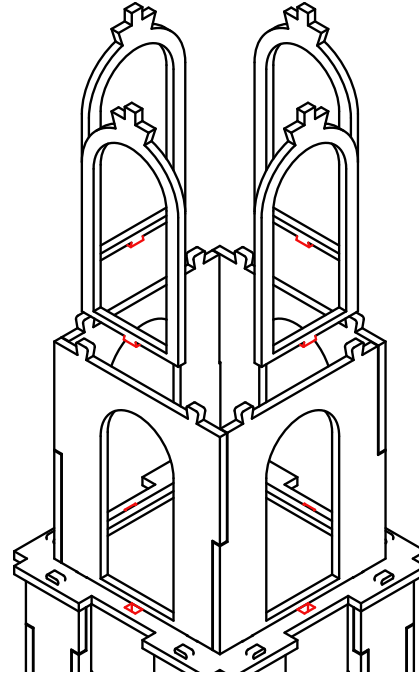
10

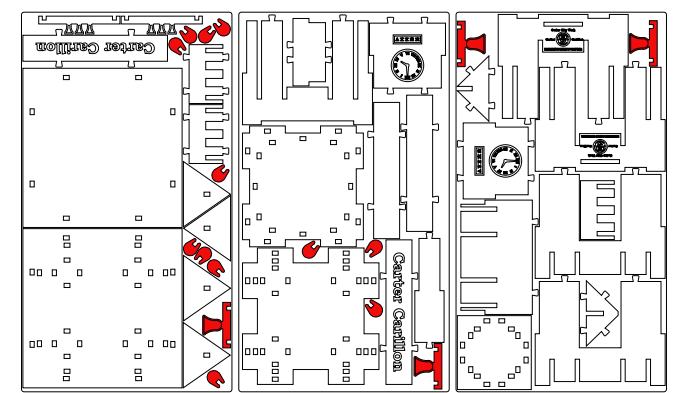
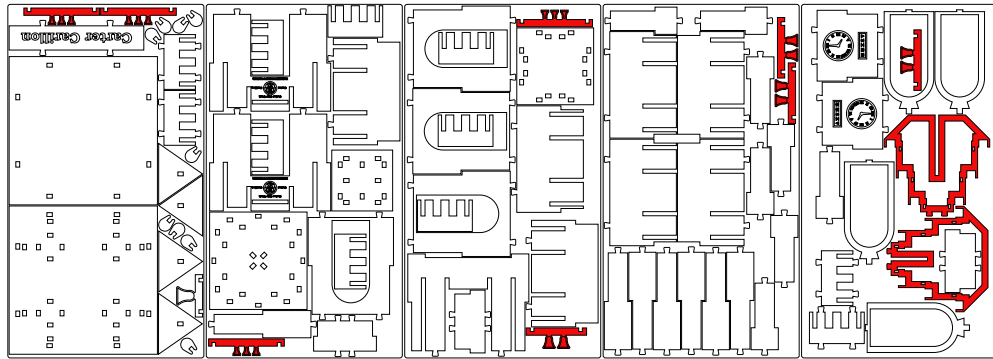
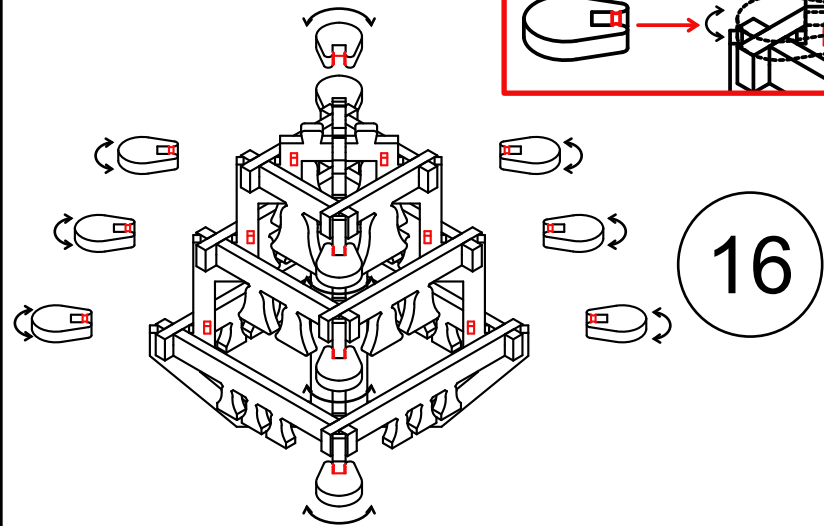
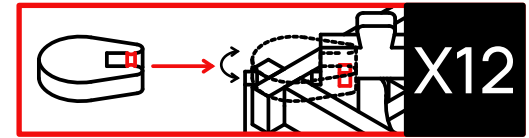
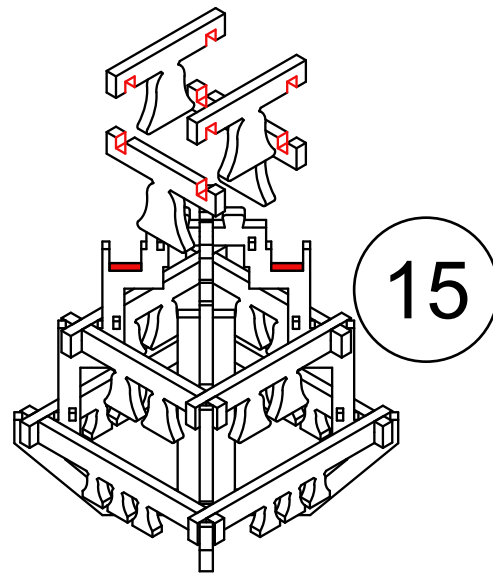
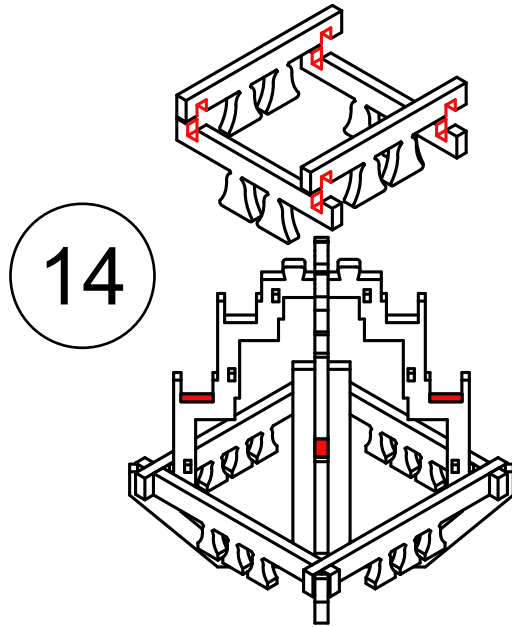
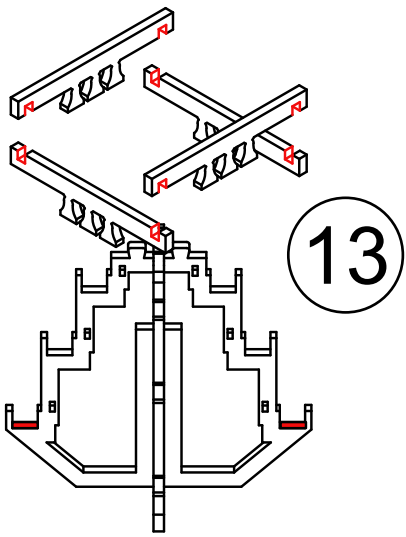


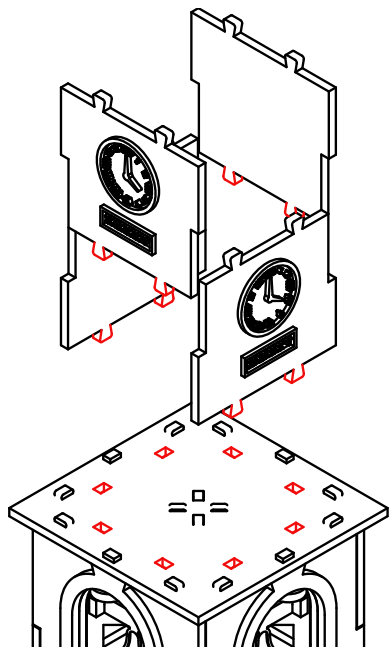
11



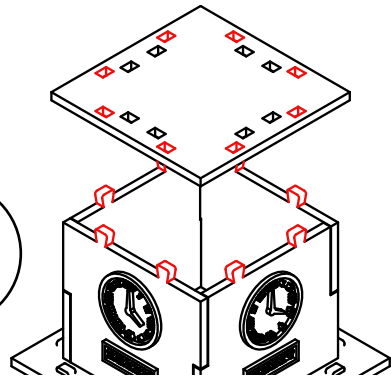
12



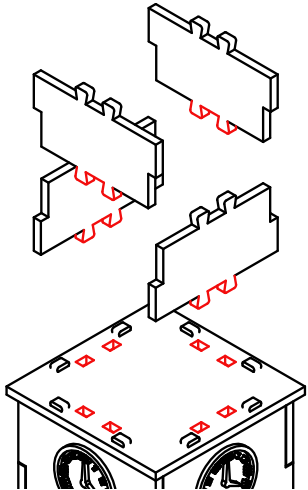




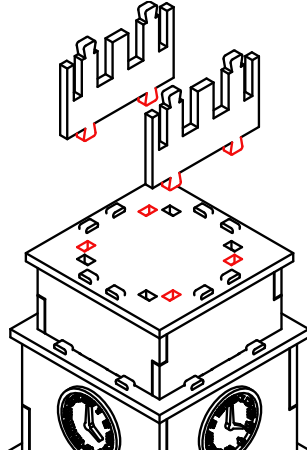
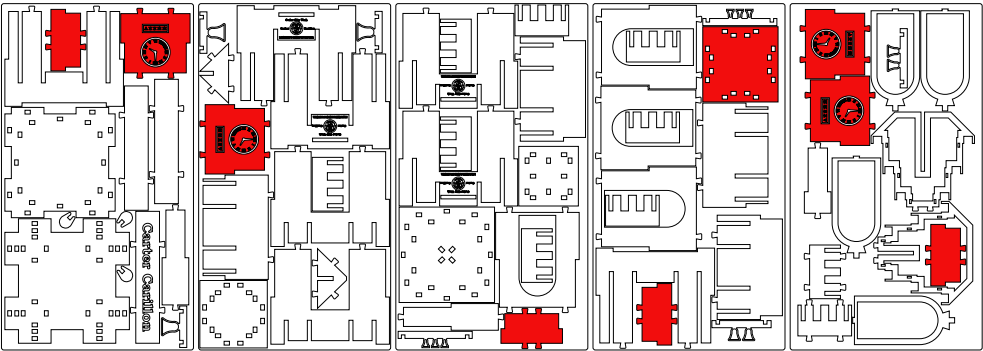
17



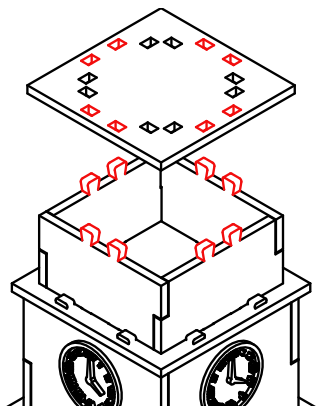
18



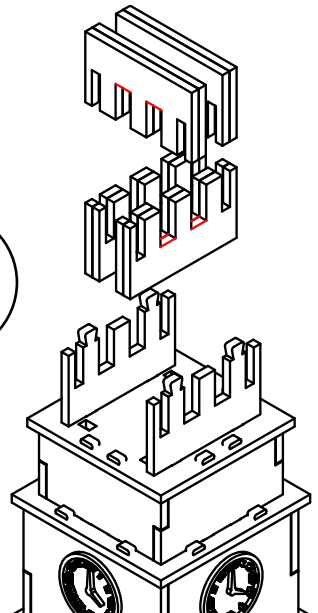
19



20



21



22

